



Diffuser DVP

Adjustable blade variable geometry diffuser.

Difusor / Diffuser DVP

Description

The adjustable blade variable geometry diffuser Model DVP provides an optimum discharge in cooling (horizontal discharge) and heating (vertical discharge) enabling the diffuser to meet the required comfort criteria.

The diffuser is available in 9 sizes ranging from Ø125 mm to Ø 800 mm in manually version and 7 sizes from Ø 250 mm to Ø 800 mm either motorised or thermo-adjustable versions.

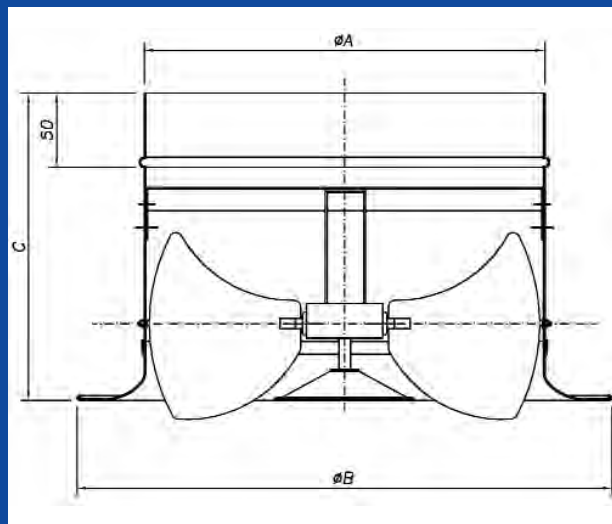
Application

DVP diffusers should ideally be mounted at heights in excess of 3.5 m for supplying cooled, isothermal and heated air.

This diffuser is an ideal choice for high ceilings applications in areas such as airports, factories and public buildings due to its high aesthetic appeal, ease of installation, regulation, and high air volume capacity.

Finishes

The outer ring and the blades are made of steel sheet. Plenum boxes to suit are also available upon request. Standard finish - painted RAL 9010, other colours are available upon request.



DIMENSIONS

NOMINAL	Ø A	Ø B	Ø C
125	124	228	130
160	159	253	155
200	199	303	174
250	249	353	200
315	314	418	240
400	399	503	265
500	499	600	320
630	629	730	380
800	799	900	555

VERTICAL DISCHARGE

Air flow-Sound power-Pressure drop-Vertical throw								
/ Model	m³/h (Pa)							
	35 dB(A)	Y (m)	40 dB(A)	Y (m)	45 dB(A)	Y (m)	50 dB(A)	Y (m)
125	123 (4)	2.6	160 (7)	3.3	190 (10)	4.0	245 (10)	5.0
160	200 (4)	2.9	255 (7)	3.7	300 (10)	4.4	385 (10)	5.6
200	300 (4)	3.1	375 (7)	4.0	465 (10)	5.5	505 (10)	6.2
250	462 (4)	3.6	505 (7)	4.2	735 (10)	5.9	930 (10)	7.5
315	735 (4)	4	965 (7)	5.2	1150 (10)	6.0	1500 (10)	7.9
400	1220 (4)	4.1	1675 (7)	5.4	1850 (10)	6.1	2450 (10)	8.1
500	1800 (4)	4.3	2500 (7)	5.9	2920 (10)	6.8	3800 (10)	8.9
630	3000 (4)	4.9	3950 (7)	6.5	4700 (10)	7.7	5800 (10)	9.5
800	4750 (4)	5.4	6100 (7)	7.0	7500 (10)	8.6	9100 (10)	10.4

Y : Vertical penetration for a terminal air velocity of 0,20 m/s respectively and ΔT = +10 °C (hot)

HORIZONTAL DISCHARGE

Air flow-Sound power-Pressure drop-Throw								
/ Model	m³/h (Pa)							
	35 dB(A)	X (m)	40 dB(A)	X (m)	45 dB(A)	X (m)	50 dB(A)	X (m)
125	75 (28)	0,7	115 (47)	1,1	135 (60)	1,3	165 (100)	1,6
160	140 (28)	1,2	180 (47)	1,6	215 (60)	1,9	265 (100)	2,3
200	220 (28)	1,6	270 (47)	2	320 (60)	2,3	410 (100)	3,0
250	315 (28)	2	420 (47)	2,7	500 (60)	3,2	635 (100)	4,1
315	505 (28)	2,7	675 (47)	3,6	805 (60)	4,3	1010 (100)	5,4
400	855 (28)	3,9	1100 (47)	5,1	1315 (60)	6,1	1650 (100)	7,6
500	1300 (28)	4,6	1650 (47)	5,8	2000 (60)	7,1	2650 (100)	9,4
630	2000 (28)	4,9	2700 (47)	6,6	3150 (60)	7,7	4000 (100)	9,8
800	3275 (28)	6,2	4200 (47)	7,9	5000 (60)	9,4	6300 (100)	11,9

X : Throw for a terminal air velocity of 0,20 m/s